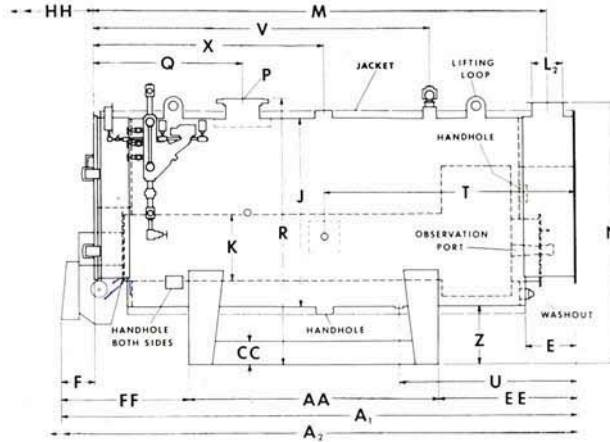
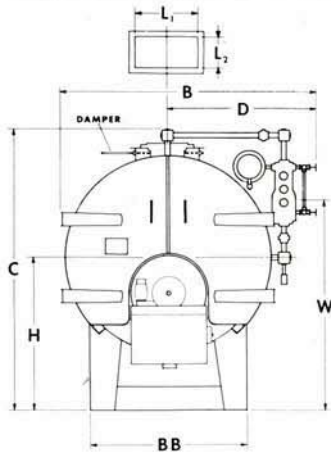
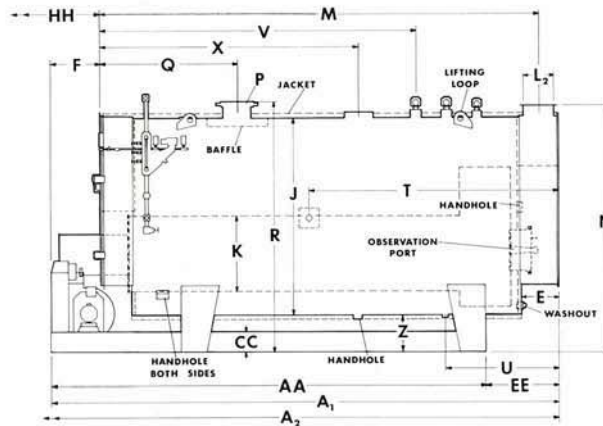
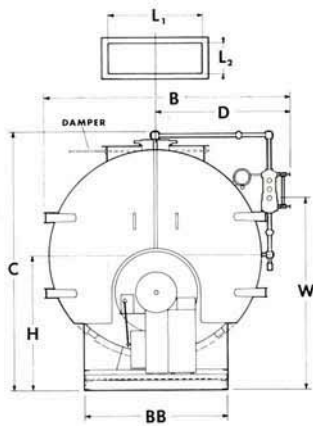


DIMENSIONS



60 H.P. thru 250 H.P.



300 H.P. thru 750 H.P.

DIMENSIONS (inches)

Unit Number	60	70	80	100	125	150	200	250	300	350	400	500	600	750
A ₁ - Overall length	122½	134½	146	145	167	165½	201	208	200	223½	205	237	250½	287½
A ₂ - Overall length including Tube Removal	171	195	217½	207½	251	249	319½	328	323	370	333	370	389	471
B - Overall width	65	65	65	71½	71½	77½	84	84	96½	96½	106	112	118	118
C - Overall height	72½	72½	72½	81	81	88	88	95½	107½	107½	116	133	148	151
D - Boiler centerline to greatest width	37½	37½	37½	40½	40½	44	44	47	53	53	60	62½	65½	65½
E - Rear smokebox to shell	12	12	12	12	12	12	12	14	14	14	14	16	16	16
F - Burner to front of boiler	22	22	22	26	26	26	26	26	21½	21½	21½	31½	31	28
H - Boiler centerline height	36½	36½	36½	42½	42½	45½	45½	48½	54½	54½	57½	60½	68½	68½
J - Shell diameter	48	48	48	54	54	60	60	66	78	78	84	90	96	96
K - Furnace diameter	17	17	17	20	20	23	23	25	30	30	34	34	37	37
L ₁ - Smoke outlet length	16	16	16	19	19	24	24	30	38	38	38	38	48	60
L ₂ - Smoke outlet width	8	8	8	9	9	10	10	12	12	12	12	14	14	14
M - Smoke outlet centerline	94½	106	118	112½	134½	132½	168	174	173½	197	178½	197½	208	251
N - Smoke outlet height	65	65	65	74	74	80	80	86	98	98	104	110	121	121
P - Supply Size - 300 lb. ANSI flange	4	4	4	4	4	4	6	6	6	8	8	8	10	10
Q - Supply centerline	38½	38½	38½	38½	38½	38½	38	38	54	54	54	54½	81½	81½
R - Supply height	66	66	66	75	75	81	81	86	99½	100	106	112	124	124
T - Feedwater centerline - each side	50	57½	63½	47	69	64½	100	107	98½	110	81½	118½	111	143
Feedwater size*	1	1	1¼	1¼	1¼	1¼	1½	1½	1½	2	2½	2½	2½	2½
U - Blow off centerline	42	42	42	42	42	42	42	49	44	49	54	56	66	61
V - Blow off size	1½	1½	1½	1½	1½	1½	2	2	2	2	2½	2½	2½	2½
V - Safety valve centerline	64	76	87½	82½	90½	91	126½	120	136½	160	141½	123½	125½	178½
W - Normal waterline	55	55	55	62½	62½	67	67	70	81	81	85	89½	100	100
X - Manhole centerline	—	—	—	68½	68½	62½	62½	68	102	112	104	87	105½	116½
Handhole centerline	50	54	59½	—	—	—	—	—	—	—	—	—	—	—
Z - Base height - floor to boiler	12	12	12	15	15	15	15	15	15	15	15	15	20	20
AA - Base length	50	60	70	60	80	80	120	120	172	192	172	204	210	254
BB - Base width	40	40	40	42	42	46	46	50	58	58	64	64	69	69
CC - Base height	6	6	6	6	6	8	8	8	8	8	8	10	10	10
EE - Base to rear of boiler	21	23	24½	29½	31½	30	25½	32½	28	31½	33	33	40½	33½
FF - Base to front of burner	51½	51½	51½	55½	55½	55½	55½	55½	—	—	—	—	—	—
HH - Tube removal space	71	83	94	89	110½	110	145	147	143	166	147	164	169	212

* Threaded opening.



gU'Yg 4 cY a Vc j'YfdUfhg"Wc a